



VC30

ELEVATED TAXIWAY EDGE LIGHT



COMPLIANCES

ICAO: Annex 14 - Volume I par. 5.3.18.8

FAA: L-861T AC150/5345-46

IEC: TS 61827

NATO: STANAG 3316

CAA: CAP 168

IAAE: TP312

APPLICATIONS

Taxiway edge for ICAO, FAA and military taxiways

BENEFITS

- Only one lamp rated 30 or 45 W: its replacement is quick and easy without use of tools
- 1000 hours lamp rated life at full intensity, but over 3000 hours in field operating conditions
- Designed with simplicity allowing longer maintenance intervals and fewer spare parts
- Lens gasket to avoid the use of sealing
- No optical adjustment after lamp or lens replacement
- Daymarker cone available on request

PERFORMANCES

- Lightweight and sturdy due to aluminium die-castings
- Powder coating surface finishing to provide good corrosion resistance
- Body balanced on the slipfitter for proper levelling by means of four screws
- High jet blast resistance due to the small size of the fixture, 220 mm high
- Protection degree: IP44
- Temperature range: -55°C to +55°C

INSTALLATION

- The fixture can be installed on pipe elbow or baseplate
- Specific tools available for easy and precise installation

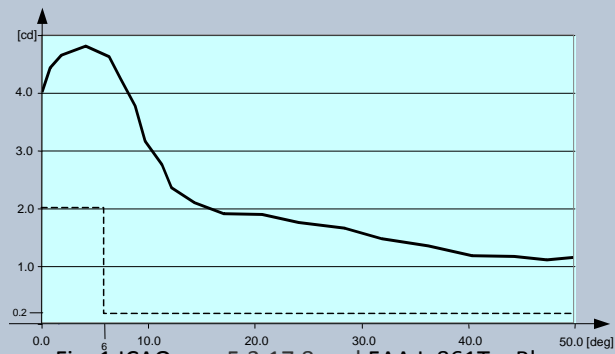
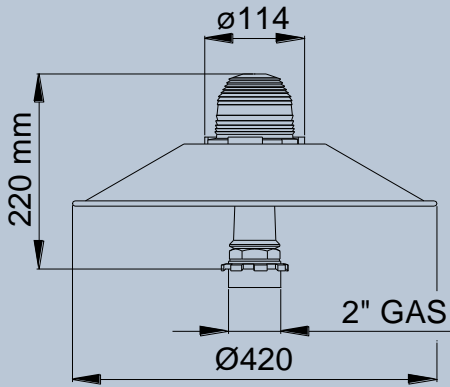
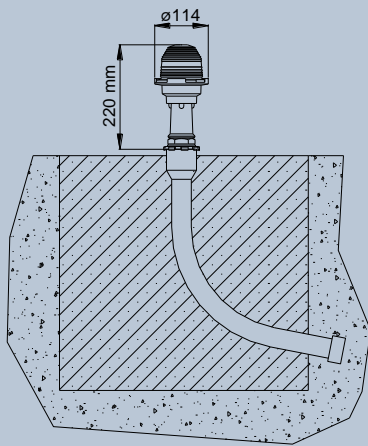
PHOTOMETRIC PERFORMANCES

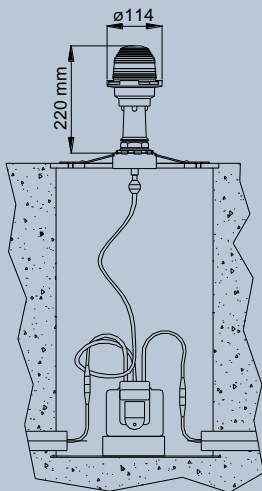
Fig. 1 ICAO par. 5.3.17.8 and FAA L-861T – Blue



Overall Dimensions



Pipe Elbow



FAA L-867 Deep Base and Base Plate

VC30T- B - 30 - C

Basic P/N: _____

Type of Light: _____

T = Taxiway

Colour: _____

B = Blue

Lamps: _____

30 = 1x30W 6.6A GZ 9.5 Base

45 = 1x45W 6.6A GZ 9.5 Base

Options: _____

C = Daymarker Cone

S = 180° Screen

RENEWAL PARTS FOR LIGHT UNIT

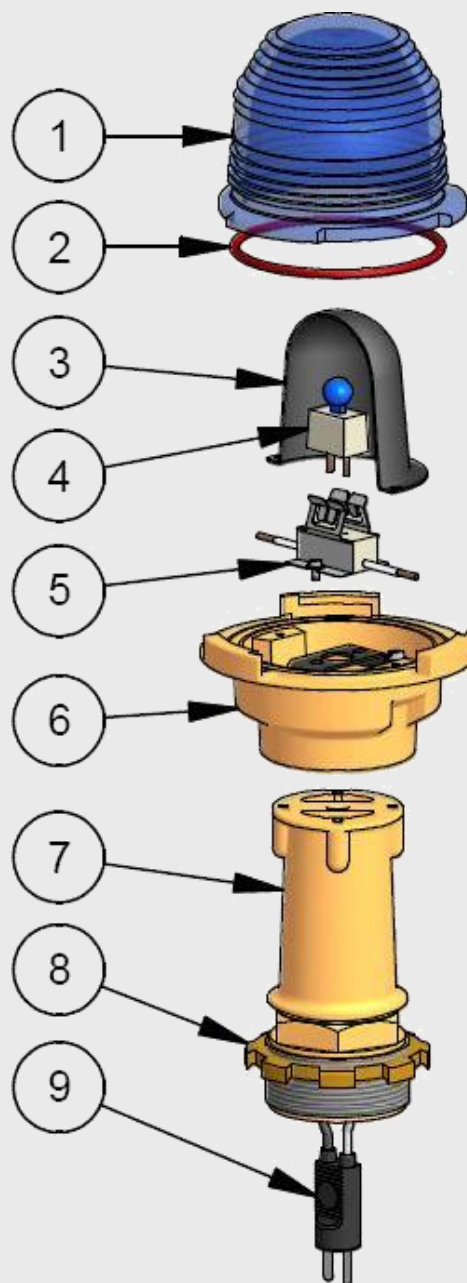
- 1 Lens
- 2 Gasket for lens
- 3 180° screen
- 4 Lamp
- 5 Lampholder
- 6 Body
- 7 Breakable coupling
- 8 Ring nut
- 9 FAA L-823 plug

Refer to the relevant technical manual for the complete list of the available spare parts

ACCESSORIES

- 013.0010 Set of two ryton rings for receptacle support inside pipe elbow
- 013.0008 Galvanized steel pipe elbow with upper threaded end only (2" - 11 GAS thread)
- 315.3210 Galvanized steel pipe elbow with both threaded ends (2" - 11 GAS thread)
- 315.1228 Base L-867, Class IA, Size B, 24" Deep
- 315.1062 Baseplate for L-867 base with gasket and cable clamp (2" - 11 GAS thread)
- 332.3250 Ring for levelling

For any information about isolating transformers and connectors, please see the specific catalogue pages

**Shipping Weights and Volumes**

	Light (without cone)	Cone (one piece)
Weight (kg)	1.3	0.6
Volume (m ³)	0.009	0.003

We reserve the right to change the design or specification data without notice

UC-PU-0109_EN-Rev.D